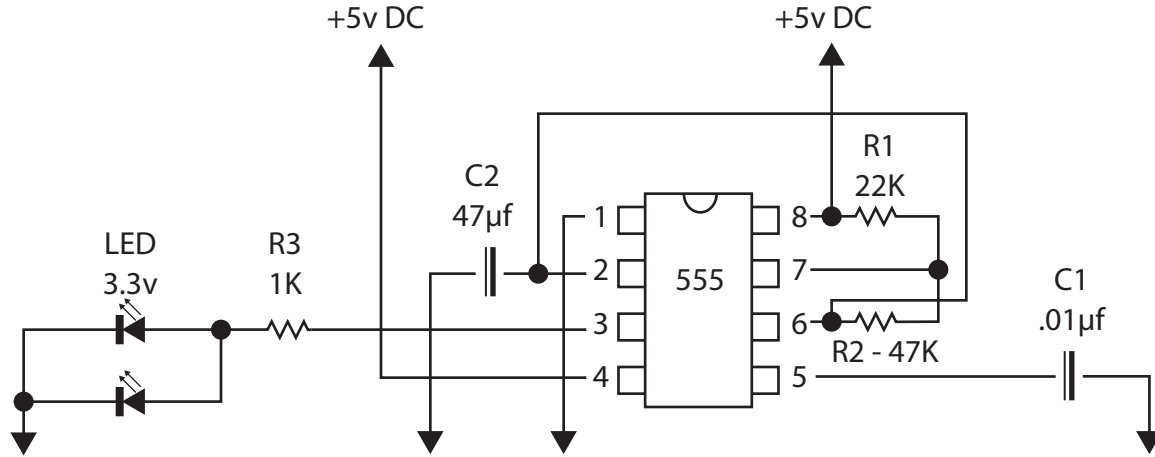


# 5vDC 555/556 flasher LED circuit

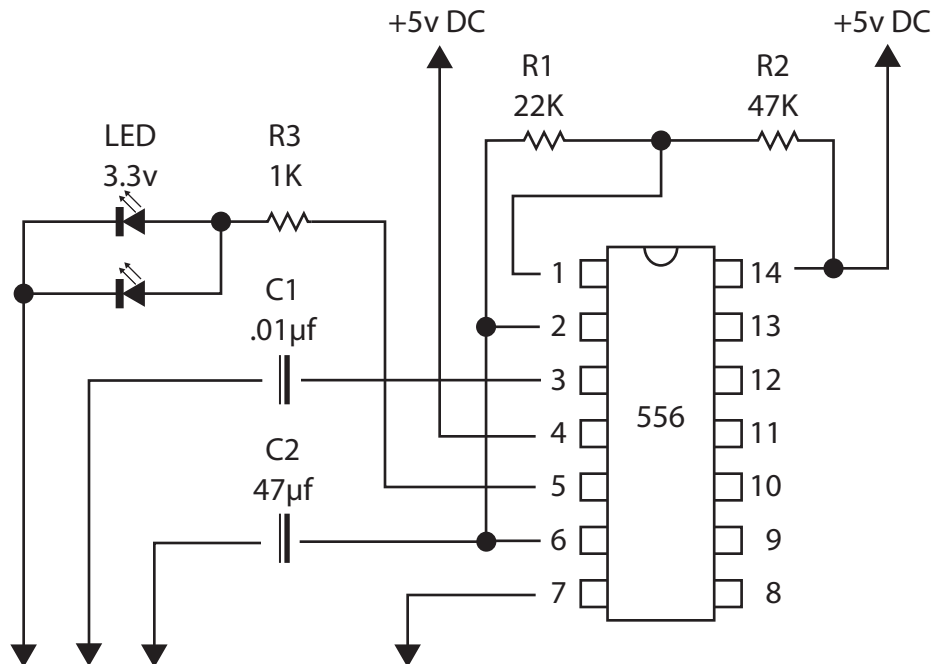
By Dave Cole (cole@45mm.com)

This circuit flashes two LEDs  
3 secs. on, 1 sec. off.



See <http://www.45mm.com/specials/lighting/5vdc-circuit.pdf> for my standard 5-volt, DC converter circuit.

This is the same circuit, using a 556 IC instead of a 555.



These circuits adapted from [http://ourworld.compuserve.com/homepages/Bill\\_Bowden/555.htm](http://ourworld.compuserve.com/homepages/Bill_Bowden/555.htm)



This work is licensed under a Creative Commons Attribution-Noncommercial-Share Alike 3.0 United States License.