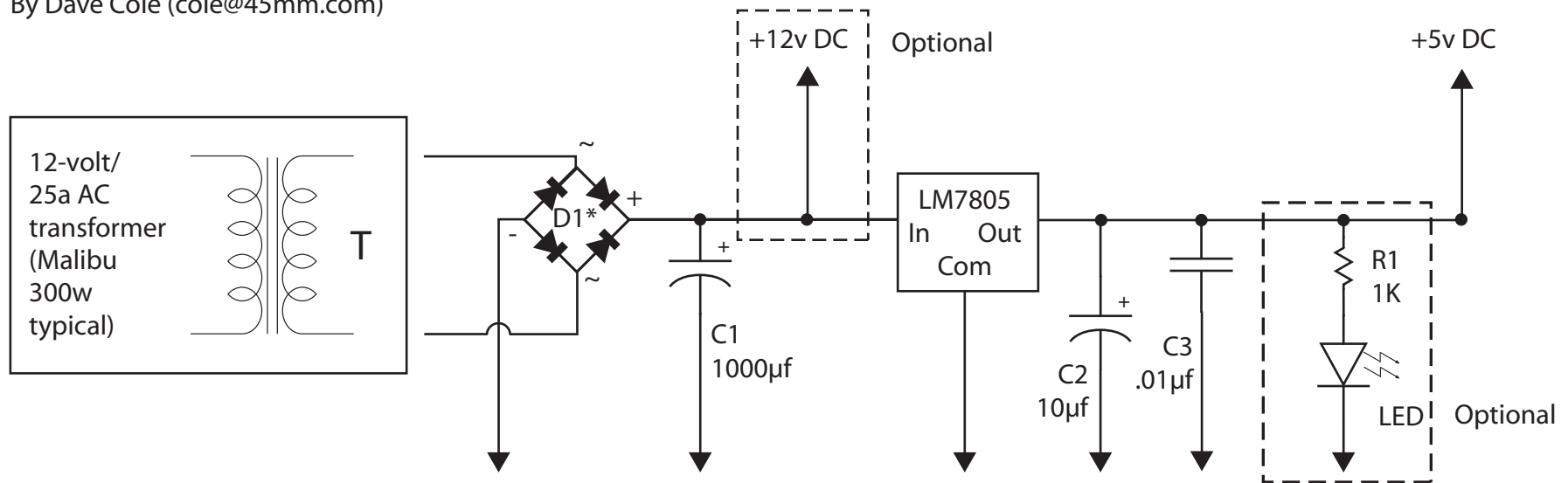


Converting garden lighting to 5v DC

By Dave Cole (cole@45mm.com)



*D1 — Bridge rectifier; for most applications a device rated at least 35 volts, 1 amp, should be sufficient. Radio Shack Part No. 276-1152, 1.4A, 100v, is overkill, but easily obtained.

This circuit is adapted from one created by Ken Bigelow, http://www.play-hookey.com/analog/experiments/plus_5_volt_ps.html

Radio Shack parts list

10µF 35V Axial-Lead Electrolytic Capacitor	Catalog: 272-1013	\$ 0.99
1000µF 35V Electrolytic Capacitor	Catalog: 272-1019	\$ 1.69
0.01µF 50V Hi-Q Ceramic Disc Capacitor Pk/2	Catalog: 272-131	\$ 1.29
1.4A, 100V Full-Wave Bridge Rectifier	Catalog: 276-1185	\$ 1.49
+5V Fixed-Voltage Regulator 7805	Catalog: 276-1770	\$ 1.59
Subtotal		\$ 6.06
Optional		
1K Ohm 1/4-Watt Resistor 5 Pack	Catalog: 271-1321	\$ 0.99
3mm Red LED	Catalog: 276-026	\$ 1.29
Total		\$ 8.34



This work is licensed under a Creative Commons Attribution-Noncommercial-Share Alike 3.0 United States License.